

Termite Control

Series 400 Termite Tools

When was the last time you upgraded your termite tools? B&G Series 400 Termite Tools puts you in control of termite treatment costs. Apply the correct amount of termiticide every time, in precise locations. Reduce technician fatigue. Do it right the first time with our complete sets of termite tools.

- 4 precision delivery tips included
- Quick change adapters are standard on all pipes
- Custom tools built to fit your specific needs
- Designed to meet current labeling requirements of termiticides
- Tip shut-off available on some models



1-3

Versagun

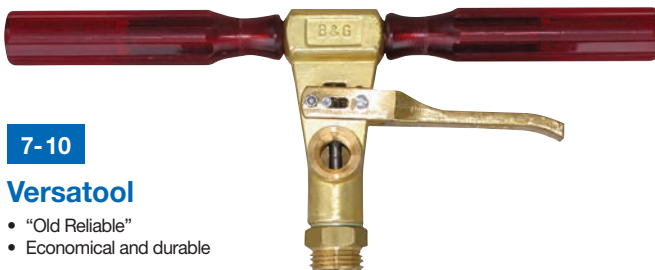
- Best termite valve in the business
- "Balanced" trigger for less operator fatigue



4-6

Robco QCG

- Pressure gauge port at valve
- Easily converts to a perimeter spray gun



7-10

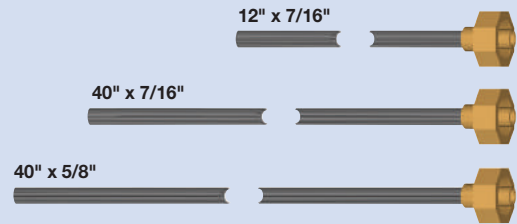
Versatool

- "Old Reliable"
- Economical and durable

11-13

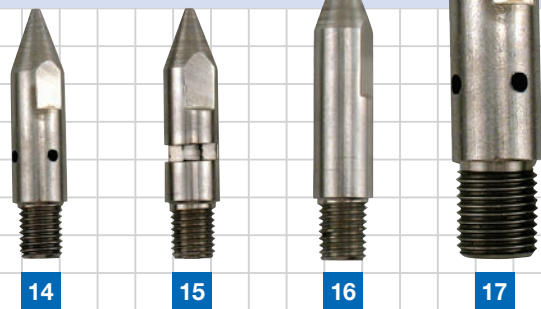
Pipes

- All 7/16" pipes – stainless
- 5/8 Stainless rodding pipe
- Variety of lengths for all applications
- Comes complete with foot ram assembly



Tips (included with each Termite Tool kit)

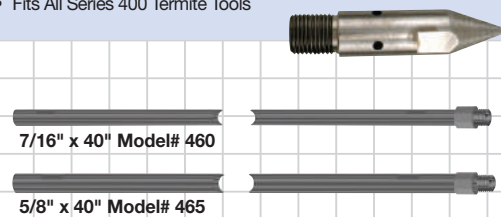
- Designed for a wide range of applications
- Stainless steel construction
- Tips are calibrated at 20 psi
- Wide variety of sizes
- Precision machined



18-21

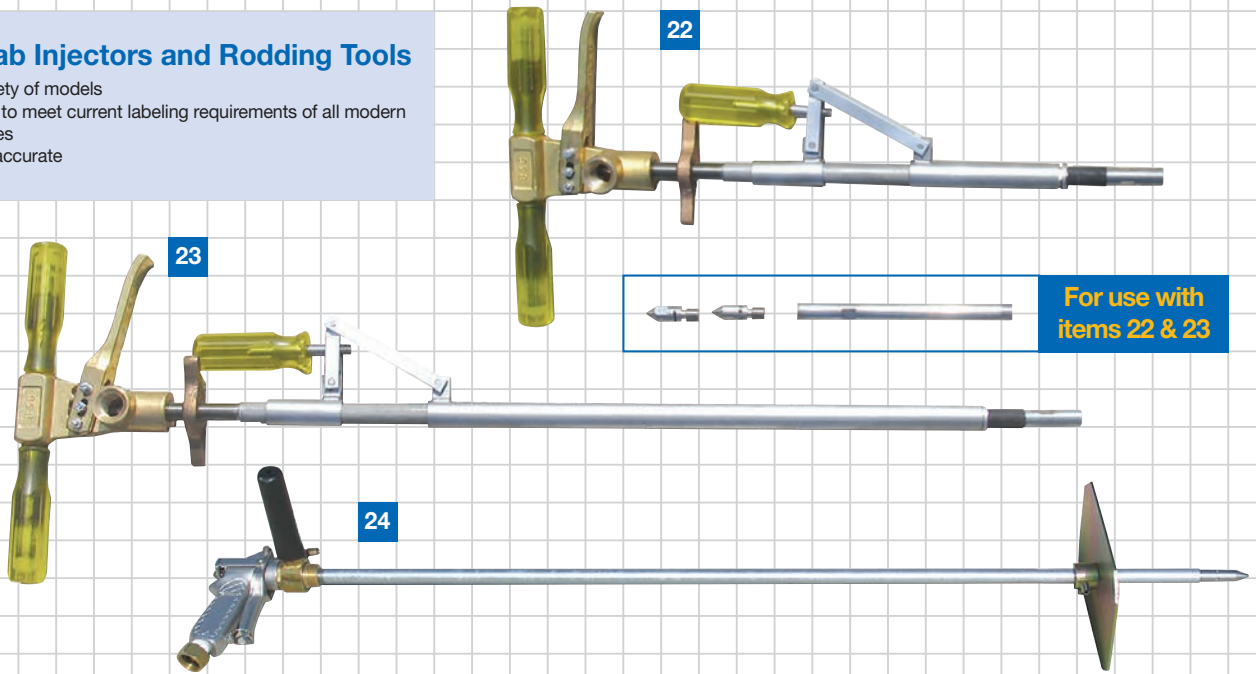
Optional Termite Tool Tips and Extenda-Pipes

- Fits All Series 400 Termite Tools



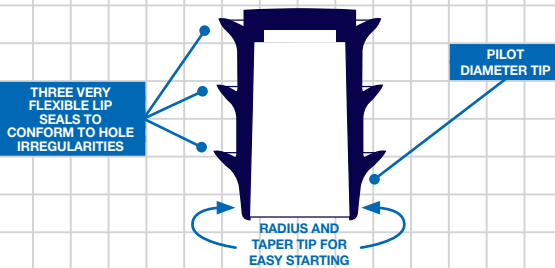
Sub-Slab Injectors and Rodding Tools

- Wide variety of models
- Designed to meet current labeling requirements of all modern termiticides
- Certified accurate

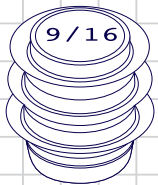


Trebor® Triple Seal

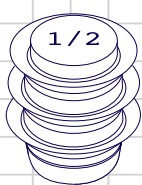
The most effective and easiest plug to install for termiticide applications. A hollow core and three flexible lips allows this patented plug to conform to hole irregularities better than solid core plugs. Available in three sizes. Hole size clearly marked on top to eliminate errors.



25



26



27



ITEM	DESCRIPTION	MODEL#	ORDER#
Termite Tool Models			
1	Entry level Versagun tool - (Versagun) - No tip shutoff	430	11007430
2	Our best tool kit - great for all applications & tip shutoff - (Versagun)	435	11007435
3	Shutoff only		11007406
4	Basic Tool with Robco Valve - (Robco QCG) - No tip shutoff	420	11007420
5	Deluxe Robco Tool with tip shutoff - (Robco QCG)	425	11007425
6	Shutoff only		22067700
7	Basic Tool - (Versatool) - No tip shutoff	410	11007410
8	Deluxe Kit with Versatool valve & tip shutoff - (Versatool)	415	11007415
9	Slab Injector with 1340 Pipe - (Versatool) - No tip shutoff	484	11007375
10	Shutoff only		11007407
Pipes			
11	12" x 7/16"	-	22071427
12	40" x 7/16"	-	22071428
13	40" x 5/8"	-	22071429
Tips			
14	360° - 7/16" Tip	451	11007451
15	180° - 7/16" Tip	453	11007453
16	Void Tip - 7/16" Tip	457	11007457
17	360° - 5/8" Tip	454	11007454
Optional Termite Tool Tips and Extenda-Pipes (Fits All Series 400 Termite Tools)			
18	360° Tip	450	11007450
19	180° Tip	452	11007452
20	5/8" x 40" Pipe	465	11007465
21	7/16" x 40" Pipe	460	11007460
Sub-Slab Injectors and Rodding Tools			
22	Sub Slab Injector SSI-4	-	11005965
23	Sub Slab Injector SSI-14	-	11005985
24	Robco Soil Rodding Tool	-	22067703
Trebor® Triple Seal			
25	9/16 Seal - 1 case (10 Buckets of 250 Seals)	4-562-505	45000562
26	1/2 Seal - 1 case (10 Buckets of 250 Seals)	4-500-504	45000500
27	3/8 Seal - 1 case (10 Buckets of 250 Seals)	4-375-504	45000375