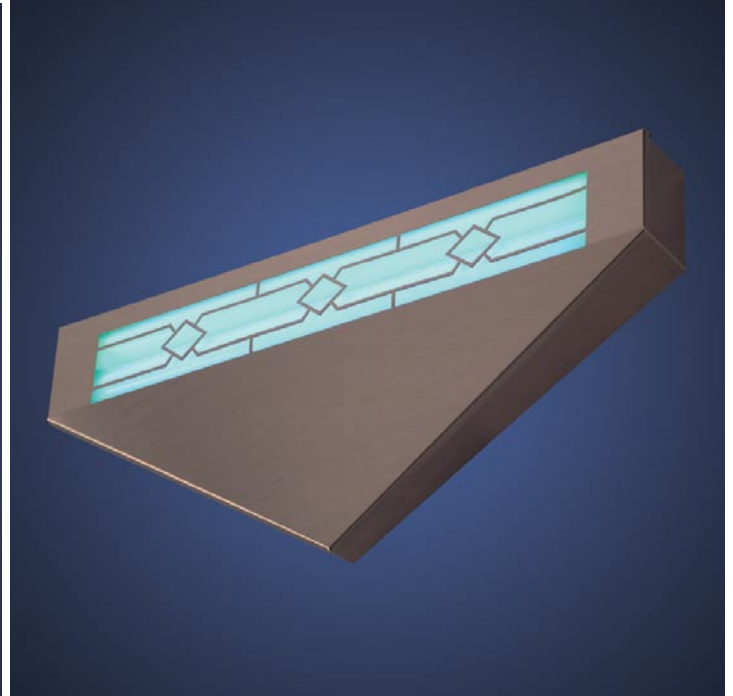
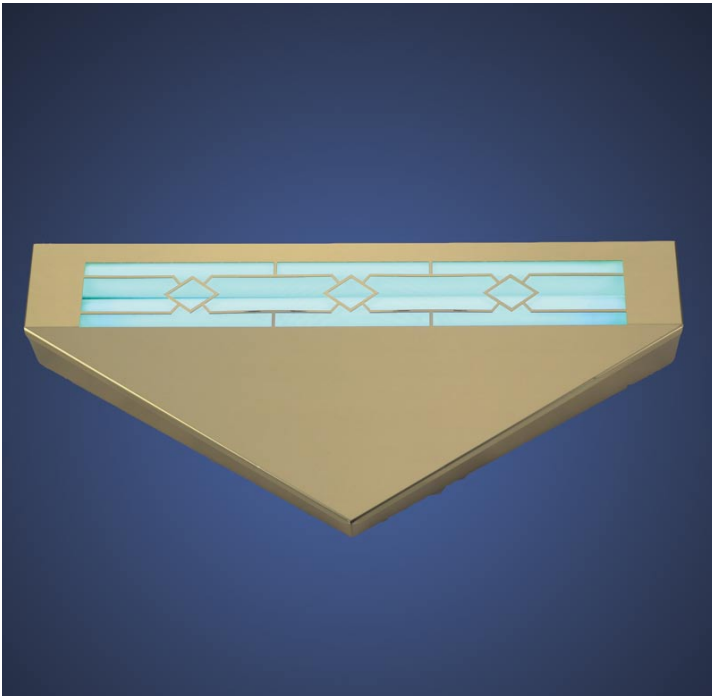




# 2000GT Flying Venus™

Professional  
GLUEBOARD  
FLYTRAP



The Gilbert® 2000GT Flying Venus™ is thin and beautiful. More importantly, it sets the standard for wall scone flytrap effectiveness.

Gilbert® Flying Venus™ sconces create an elegant ambiance for your favorite room, while secretly providing 24-hour, non-stop, silent-capture of filthy disgusting flies. The beautiful light attracts them. The glueboard secretly traps them.

The 2000GT features two, superior, 20 watt insect attractant lamps (Sylvania #F20T12/350BL). Replace annually.

**Dimensions: ONLY 2 and 3/4 INCHES DEEP !!!**  
**24 3/4" Wide x 11 1/2" High.**

Depth slopes 2 3/4" (at top) to 1 7/16" (at bottom point).

Installation: Mount anywhere. So thin, ADA rules do not apply!

Textured Vinyl Weight = 6.72 lbs, ShipWt. 9 lbs.

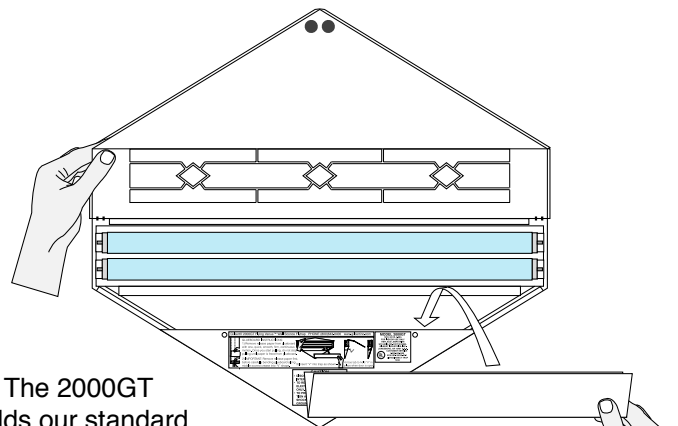
Polished / Antique Brass Weight = 8.16 lbs., Ship Wt. 11 lbs.

One Year Warranty (excluding lamps & glueboards)

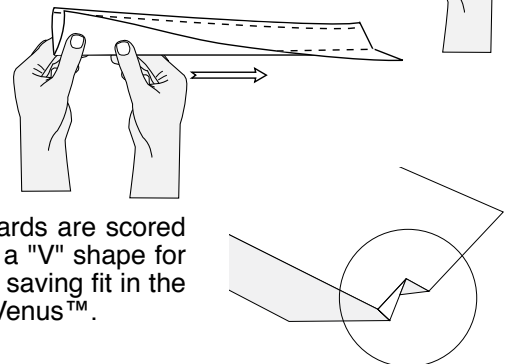
**2000GT FLYING VENUS™ CHOICES:** Choose decorative power cord (6 ft., 115v grounded) or hard-wire version. We highly recommend ordering the optional hard-wire version for the aesthetic, cordless look. Universal knockouts and keyhole mounting slots provided on all versions.

All Flying Venus™ flytraps are available in four beautiful finishes: Polished Brass, Antique Brass, Textured Black or Textured White, vinyl-coated aluminum.

## 2000GT Holds Standard Glueboard



The 2000GT holds our standard (16-7/8" x 4-7/8") glueboard



Gilbert® glueboards are scored for bending into a "V" shape for a perfect, space saving fit in the 2000GT Flying Venus™.

If necessary, to prevent lamp heated glue from oozing out the end of the "V", bend 1/2" up at each end (forming a tray to contain glue).

See Also: [gilbertinc.com/glueboard.htm](http://gilbertinc.com/glueboard.htm)

