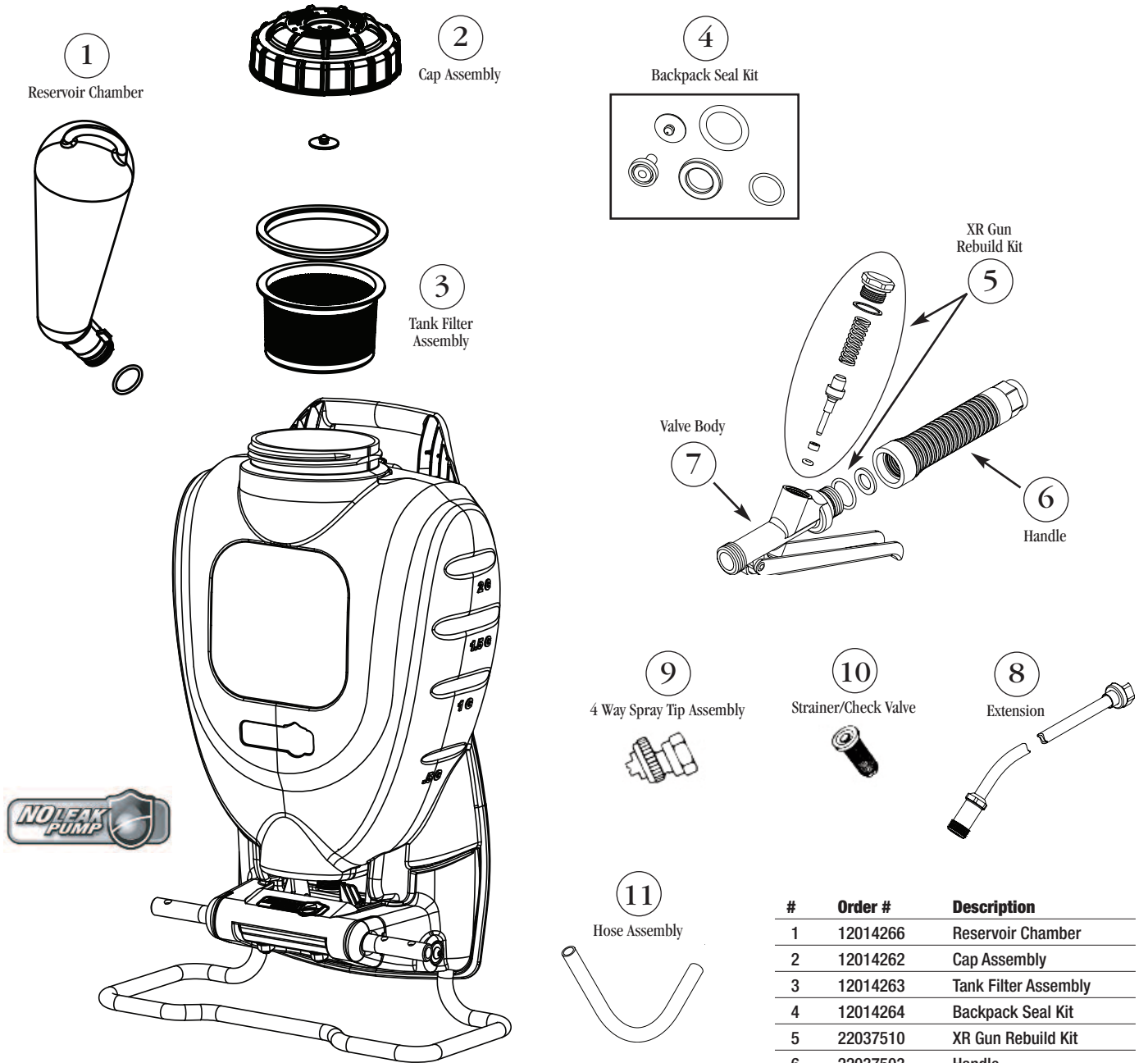


# PESTPRO II BACKPACK



For more detailed maintenance and servicing instructions, visit the B&G website at [www.bgequip.com](http://www.bgequip.com)

#	Order #	Description
1	12014266	Reservoir Chamber
2	12014262	Cap Assembly
3	12014263	Tank Filter Assembly
4	12014264	Backpack Seal Kit
5	22037510	XR Gun Rebuild Kit
6	22037503	Handle
7	22037501	Valve Body
8	22045600	Extension
9	22049451	4 way spray tip assembly
10	22032551	Strainer/Check Valve
11	33000309	Hose Assembly

B&G Help Line  
**800-544-8811**



135 REGION SOUTH DRIVE • JACKSON, GA 30233  
 Toll Free 800-544-8811 • Phone 678-688-5601  
[www.bgequip.com](http://www.bgequip.com) • Fax 678-688-5633