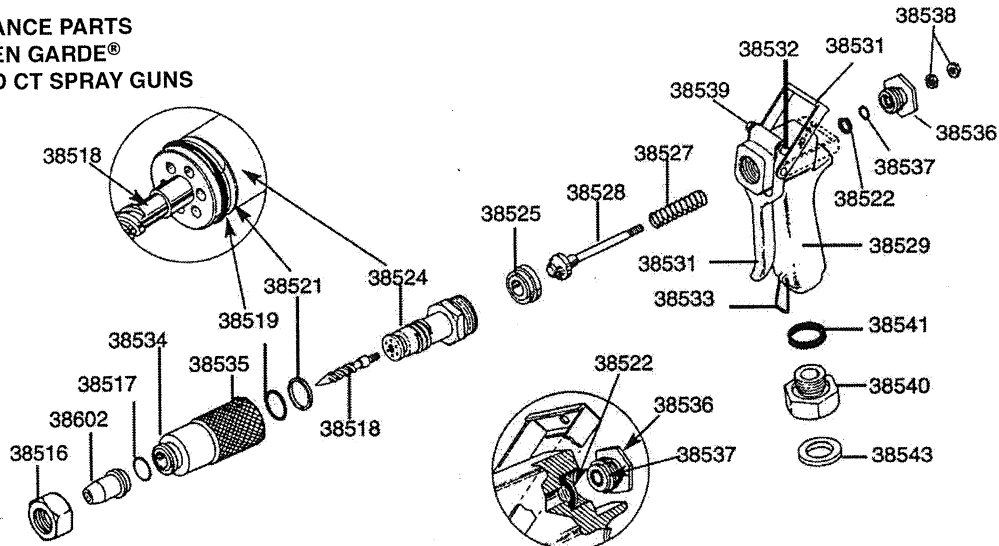




## JD-9C AND CT SPRAY GUNS (38500 & 38501)

## FAST FAX BULLETIN 86387

### MAINTENANCE PARTS FOR GREEN GARDE® JD9-C AND CT SPRAY GUNS



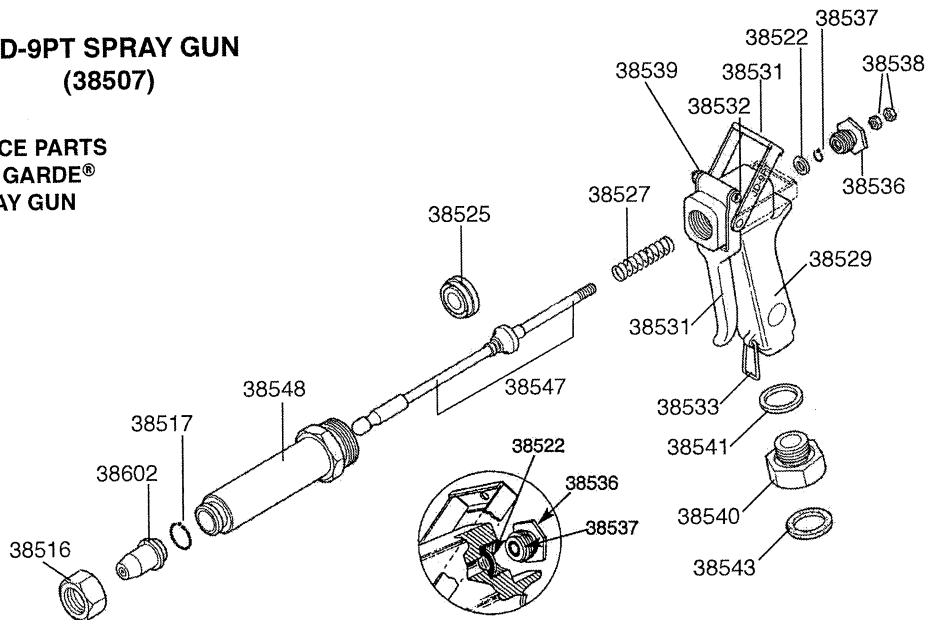
**Special Note:**  
When tightening the two #38538 nuts at the rear of the gun, allow a little slack so that the valve will seat properly, completely shutting off the flow.

Part No.	Description	Part No.	Description	Part No.	Description
38516	Cap	38528	Stainless Steel Valve	38538	Nut (2)
38517	O-ring	38529	Grip (38530 tapped for gauge)	38539	Locking Nut
38518	Whirler	38531	Trigger Assembly	38540	3/4" Garden Hose Coupling
38519	O-ring	38532	Bolt, Stainless Steel	38541	Special Packaging Gasket
38521	Back up ring	38533	Stopper Clip	38543	Garden Hose Washer
38522	Gland Packaging	38534	Adjuster Nut (barrel)	38544	Plug for Gauge (38501 gun only-not shown)
38524	Adjuster Body	38535	Screw for adjuster nut	38602	Nozzle Tip & Retainer
38525	Teflon Valve Seat	38536	Gland		
38527	Valve Spring	38537	O-ring		



## JD-9PT SPRAY GUN (38507)

### MAINTENANCE PARTS FOR GREEN GARDE® JD9-PT SPRAY GUN



**Special Note:**  
When tightening the two #38538 nuts at the rear of the gun, allow a little slack so that the valve will seat properly, completely shutting off the flow.

Part No.	Description	Part No.	Description	Part No.	Description
38516	Cap	38532	Bolt, Stainless Steel	38541	Special Packaging Gasket
38517	O-ring	38533	Stopper Clip	38543	Garden Hose Washer
38522	Gland Packaging	38536	Gland	38544	Plug for Gauge (38501 gun only-not shown)
38525	Teflon Valve Seat	38537	O-ring	38547	Whirler Valve Stem
38527	Valve Spring	38538	Nut (2)	38548	Gun Barrel
38529	Grip (38530 tapped for gauge)	38539	Locking Nut	38602	Nozzle Tip & Retainer
38531	Trigger Assembly	38540	3/4" Garden Hose Coupling		