



SPECIALTY PRODUCTS  
*Delivering Value*

PRESORTED  
FIRST CLASS  
U.S. POSTAGE  
**PAID**  
PERMIT No. 5  
ARTESIA, CA



SPECIALTY PRODUCTS  
*Delivering Value*

## Branch Offices

**Santa Fe Springs, CA** 15415 Marquardt Ave.  
Santa Fe Springs, CA 90670  
(800) 352-3870  
Fax (562) 802-3296

**Sacramento, CA** 524 Galveston St.  
W. Sacramento, CA 95691  
(800) 533-0816  
Fax (916) 374-0900

**Fresno, CA** 2478 N. Sunnyside Ave.  
Fresno, CA 93727  
(800) 827-4389  
Fax (559) 291-2433

**Las Vegas, NV** 3455 W. Lake Mead Blvd.  
N. Las Vegas, NV 89032  
866-472-3695  
Fax (702) 638-8515

**San Jose, CA** 1155 Mabury Road  
San Jose, CA 95133  
(800) 767-0719  
Fax (408) 287-2004

**Portland, OR** 13010 NE David Circle  
Portland, OR 97230  
(877) 827-4381  
Fax (503) 252-2782

**San Marcos, CA** 431 Daisy Lane  
San Marcos, CA 92078  
(800) 237-5233  
Fax (760) 471-3351

**Tempe, AZ** 1059 W. Geneva Drive  
Tempe, AZ 85282  
(800) 352-5548  
Fax (480) 517-0766

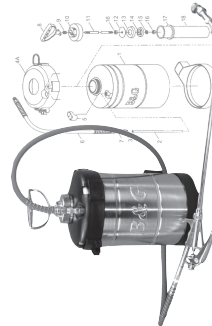
For a complete list of events visit:  
[www.target-specialty.com](http://www.target-specialty.com)

TARGET SPECIALTY PRODUCTS  
15415 MARQUARDT AVE., SANTA FE SPRINGS, CA 90670  
ADDRESS SERVICE REQUESTED



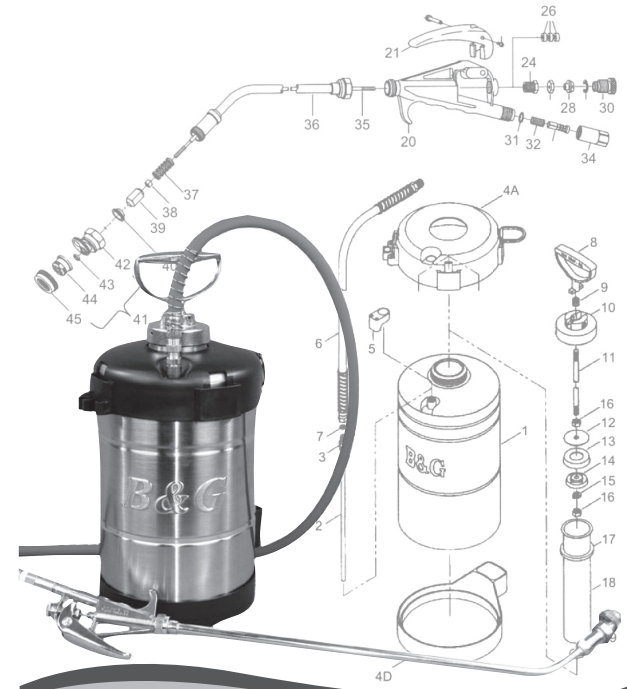
## B&G Rebuild Class

Santa Fe Spring, CA  
Tuesday, March 30, 2010



# B&G Rebuild Class

Santa Fe Springs, CA  
Tuesday, March 30, 2010

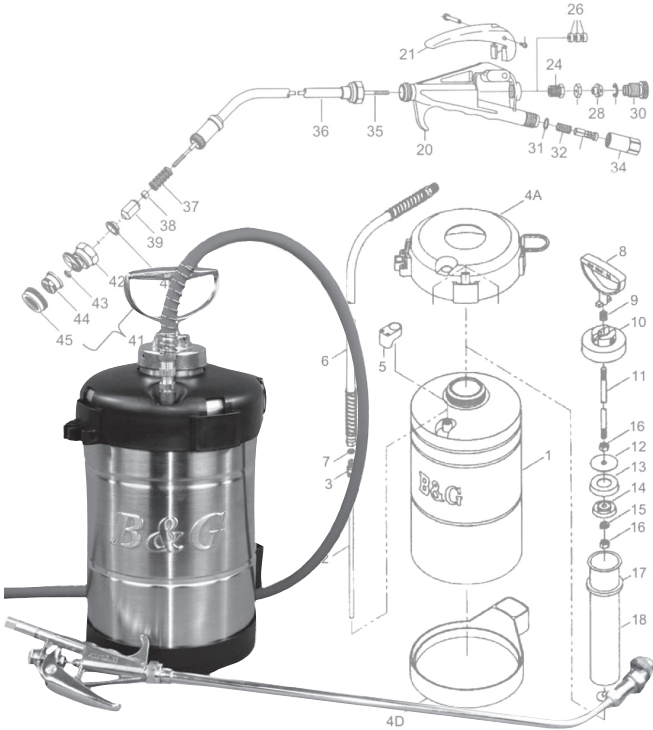




# B&G Rebuild Class

**Santa Fe Springs, CA  
Tuesday, March 30, 2010**

This class will train the technician to fully repair & maintain their sprayer, (rebuild pump and wand) and troubleshoot problems in the field. New equipment will also be discussed.



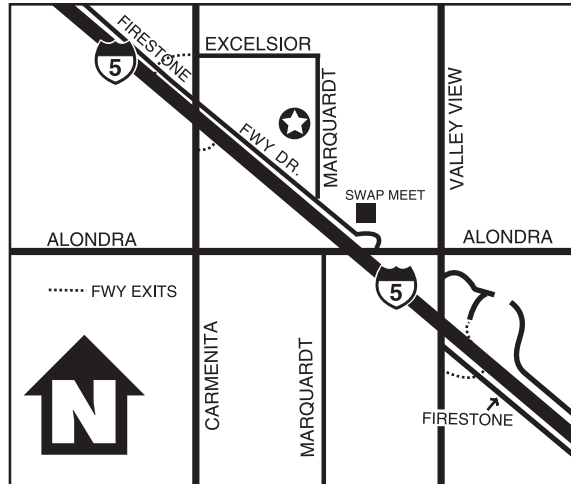
- Registration:** 7:30 am
- Program:** 8:00 am - 11:00 am
- Cost:** \$45 per person  
Includes continental breakfast and a GD124 - rebuild kit (a \$35 value)
- Credits:** 3.0 hours DPR & SPCB applied for
- Questions:** 800-352-3870

All tools needed to break down your sprayer will be available for use.

## What to Bring:

1. Clean triple rinsed B&G sprayer
2. Gloves
3. Eye Protection

**Space is limited  
Reservation required**



**Target Specialty Products**  
15415 Marquardt Ave.  
Santa Fe Springs, CA 90670



## B&G Rebuild Class - RSVP by March 26, 2010

Company: \_\_\_\_\_  
 Address: \_\_\_\_\_  
 City: \_\_\_\_\_ State: \_\_\_\_\_ Zip: \_\_\_\_\_  
 Phone: ( ) \_\_\_\_\_ Fax: ( ) \_\_\_\_\_  
**Name of Registrant(s):** \_\_\_\_\_ **\$45 per person**

Enclosed is my payment of \$\_\_\_\_\_ for \_\_\_\_\_ people

Check  Visa/mc/discover Card# \_\_\_\_\_  
 Signature \_\_\_\_\_ Exp. \_\_\_\_\_ V-Code \_\_\_\_\_

**Space Is Limited  
Reservation required**

Please complete & return to:  
**Target Specialty Products**  
 15415 Marquardt Ave.  
 Santa Fe Springs, CA 90670  
**Attn: Phyllis Riedman**  
**800-352-3870**  
**562-802-2238**  
 or fax to:  
**562-802-1786**

(This form may be photo-copied)

**RSVP by March 26, 2010**  
 Make checks payable to  
 Target Specialty Products